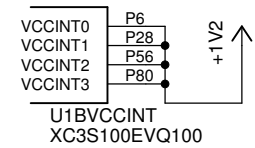
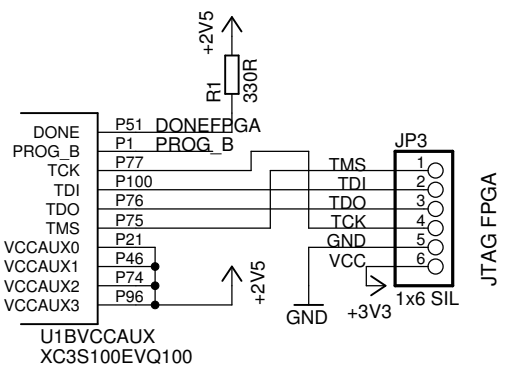
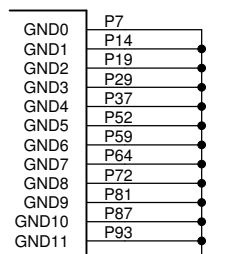
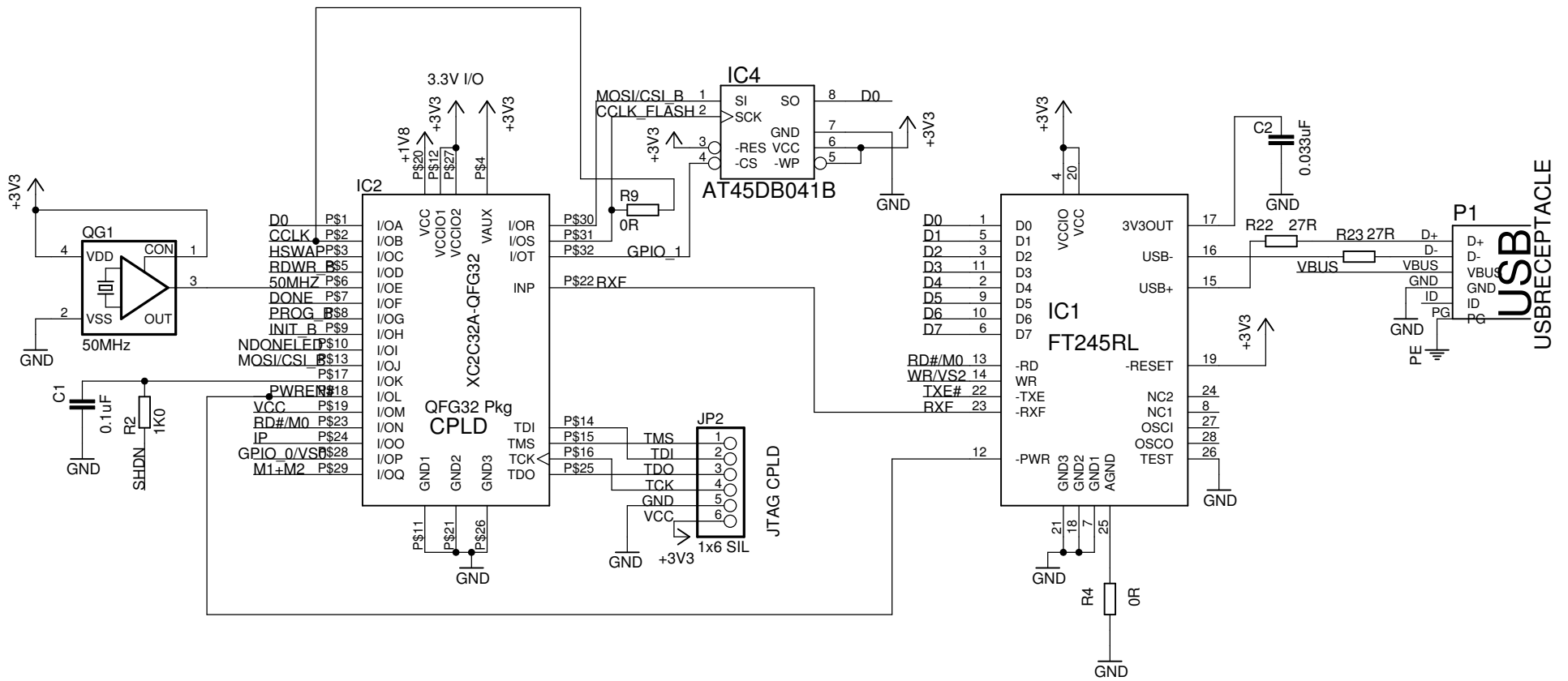


Load R2A & omit other RnA + RnB for USB download  
 Load R2B & omit other RnA + RnB for PROM download  
 Load RnB & omit RnA for FLASH



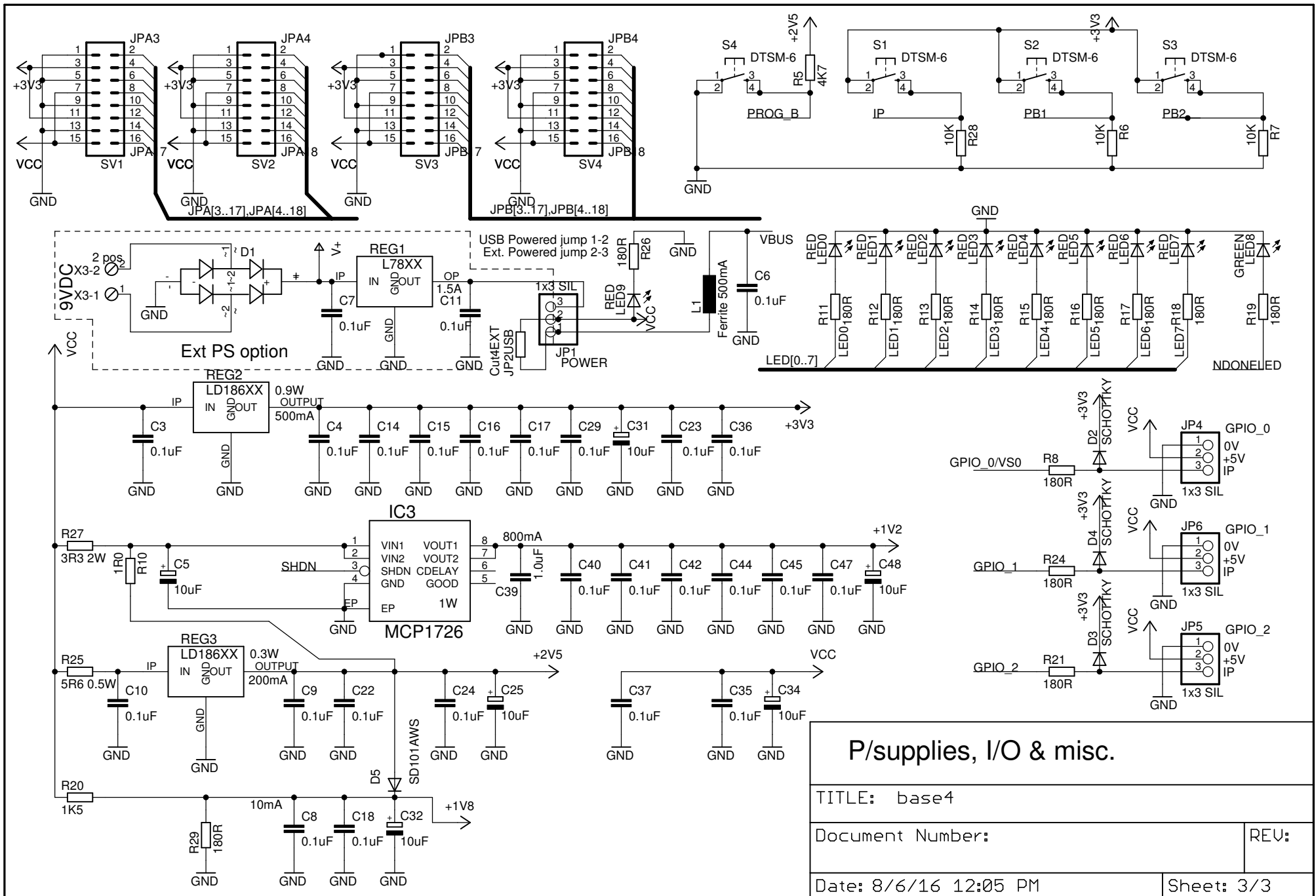
Load R9B if CPLD not present otherwid not used  
 Load R31 & R32 if CPLD present (R33 & R34 not used)  
 Load R33 & R34 if PROM present (R31 & R32 not used)

|                                     |            |
|-------------------------------------|------------|
| <b>FPGA (XC2C32A) &amp; support</b> |            |
| TITLE: base4                        |            |
| Document Number:                    | REV:       |
| Date: 8/6/16 12:05 PM               | Sheet: 1/3 |



Load R9 if CPLD not present otherwise open

|   |            |
|---|------------|
| <b>USB (FT245RL) &amp; CPLD (XC2C32A)</b> |            |
| TITLE: base4                              |            |
| Document Number:                          | REV:       |
| Date: 8/6/16 12:05 PM                     | Sheet: 2/3 |



|                                    |            |
|------------------------------------|------------|
| <b>P/supplies, I/O &amp; misc.</b> |            |
| TITLE: base4                       |            |
| Document Number:                   | REV:       |
| Date: 8/6/16 12:05 PM              | Sheet: 3/3 |